

Replacement Parts

Applies to: **Model F** and **Model FE**
Fan-Type, Gas-fired
Unit Heaters and
Model B and Model BE
Blower-Type, Gas-fired
Unit Heaters

IMPORTANT

1. Always include complete heater model and serial number so that any specification change can be considered for parts shipment. It can save time and expense.
2. Specifications are subject to change without notice.
3. We reserve the right to substitute functional replacements
4. Order by Part Number. Do not order by Option Number.

Model F, Fan-Type, Gravity Vent



Model B, Blower-Type, Gravity Vent



*Model FE, Fan-Type, Power Vent



*Model BE, Blower-Type, Power Vent



*Models FE and BE are no longer manufactured.

Index

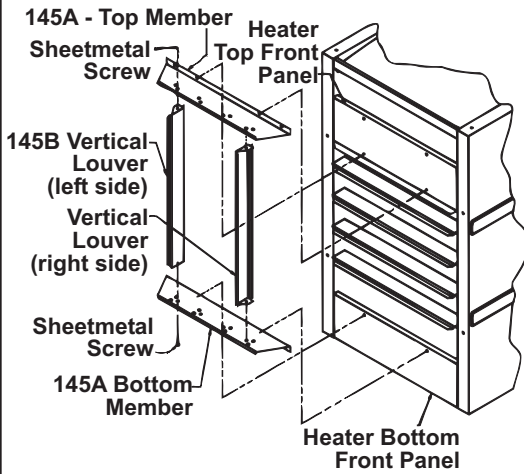
A	Hinge Pin Assy 16	Relay 4, 6, 14, 15
Air Shutter 12	I	Replacement Parts Tag 2
B	Ignition Controllers 5	Restrictor 8
Belt 10, 11	Ignition Conversion Kits 5	S
Belt Guard 19	K	Sensing Tube 14
Blocked Vent Switch 4	Key 8	Serial Number 2, 3
Blower 8	L	Starter 9
Blower Components 8	Latch Fastener 16	Starters 10
Blower/Filter Cabinet 19	Limit Control 4	Summer/Winter Switch 4
Blower Guard 19	Vertical Louver Assy 18	Swivel Connection 18
Burner Only 12	Low Ambient Fan Control 6	T
Burner Orifices 13	M	Terminal Strip 4
Burner Rack 12	Manifold 12	Thermocouple 13
Burner Rack Support 12	Model No. 2	Thermostat Bracket 5
Burner Rack Supports 16	Belt-Driven Motor 8	Thermostats 5
C	Blower Motor 9	Stepdown Transformer 6
Cabinet Parts 16	Blower Motors 10	Transformers 5
Capacitor 8, 14, 15	Direct Drive Motor 8	V
Carryover 12	Fan Motor 7	Shut-off Valve 12
Circuit Breaker 4	Venter Motor 14	Vent Cap 14, 15, 18
Contactor 9, 10	Motor Adjustment Mounting Assy 8	Vent Damper 5
D	Motor Band 8	Venter 14
Date of Manufacture 3	Motor Mounting Bracket 8	Venter Fan Blade 14
Dates of Introduction 3	Motor Support 8	Venter for Gravity-Vent Units 15
Downturn Nozzle Kit 20	Multiple Heater Control 6	Venter Gasket 14
Drive 10	N	Venter Motor and Wheel Assembly 14
Duct Flange 18	Nozzles 20	Venter Wheel 14
E	O	W
Electrical Components 4	Burner Orifices 12	Warranty 3
F	Overload 9, 10	
Fan Blades 7	P	
Fan Components 7	Paint 18	
Fan Control 4	Match-Lit Pilot 13	
Fan Guard 7	Spark Pilot 13	
Fan Motor Spacing 7	Pilot Shield 12	
Filters 19	Polytube Adapters 20	
Flame Sensor 13	Pressure Switch 14, 15	
Fuse 4	Blower Pulley 10, 11	
G	Motor Pulley 10, 11	
Gasket Kit 16	R	
Guards 19	Rating Plate 2	
H	References 3	
Hanger Kits 18		
Heat Exchangers 16		

Cabinet Parts and Options (cont'd)

Code	Description	Size										
		25	50	75	100	125	130	165	200	250	300	400
145	Vertical Louver Assy (Same as CD1)	98500	98501	98502	136863	98503	98504	98505	98506	98507		
145A	Vertical Louver Top/Btm Member only	97852	97853	97854	97856	97854	97855	97856	97857	97858		
145B	Vertical Louver only		95937					95938				
146	Duct Flange Kit (Same as CD9) - B/BE	101194	101194	101195	101501	135591	101196	101197	101198	101199	101199	101200
146A	Duct Flange Top & Btm - in CD9 & AX4	101155	101155	101156	101157	101159	101157	101158	101159	101160	101160	101161
146B	Duct Flange Sides - in CD9 & AX4	101163	101163	101163	101163	101163	101164	101164	101164	101164	101164	101164
147	Maroon Touch-up Paint, 12oz spray can	207432 (louver color)										

Code 145 - Vertical Louver Assembly (Same as Option CD1)

On fan models, do not use vertical louvers with optional discharge nozzles.



Code 146 - Duct Flange Parts

(Same as Option CD9; components used in Option AX4)



Code 149 - Vent Cap - Model F/B with Gravity Vent

NOTE: Same type of vent cap applies to a gravity or power vent installation. The required size of vent cap varies; for power vent sizes, see Code 80, page 14, for FE and BE or Code 101, page 15, for F and B with power vent option.



Applies to Model F&B Size with a gravity vent	Vent Cap Diameter	P/N
25-50	4"	111848
75	5"	111849
100	6"	111850
125, 130	* 8"	61857
165, 200	8"	61857
250, 300	10"	61866
400	12"	61875

* Run 7" vent pipe and use a field-supplied increaser with an 8" vent cap.

Hangers and Optional Hanger Kits

Code	Description	Models	P/N
150	Hanger Bracket Assy (2 standard on each fan unit, 4 standard on each blower unit)	F/FE25-400 & B/BE25-400	96386
151	Four-Point Suspension Kit (Same as Option CK7)	F/FE25-400	98508
152	Swivel Connection Kit for Two-Point Suspension (Same as Option CK8)	F/FE25-400	98509
153	Four-Point Suspension with Swivel Connections Kit (Same as Option CK9)	F/FE25-400	98510
154	Swivel Connection Kit for Four-Point Suspension (Same as Option CK10)	F/FE25-400 & B/BE25-400	98511
Components in Swivel Connection Hanger Kits CK8, CK9, and CK10 listed above:			
	Swivel Connection only (to adapt for hanging from 1" threaded pipe)	All	17627
	Lock Washers for installing Swivel Connections	All	5197
155	Pressure Switch Bracket only (required when installing Code 151 or 153 on Model FE Sizes 25-100 manufactured prior to 8/92 - Date Code ARI)	FE 25-100 mfgd prior to 8/92 - order separately;	98448
156	8-32 Nut for installation of Pressure Switch Bracket (Code 155)	not included in option kits	31522
157	Four-Point Suspension Kit designed to carry a nearly equal load at each suspension point (Same as Option CK19)	B/BE165-400	165742
Components in Hanger Kit Option CK19:			
157A	Right Side Hanger Bar	B/BE165-400	162829
157B	Left Side Hanger Bar	B/BE165-400	162830
157C	HHD Tap Bolts 3/8-16NCX 11-1/2 #5	B/BE165-400	(4)114350
157D	3/8" Lockwasher	B/BE165-400	(8)5197

Code 150 - Hanger Bracket



Code 151 - Kit to Convert Fan Model to 4-Pt Suspension (Same as Opt CK7)

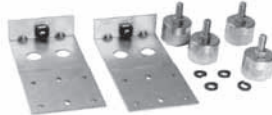


Code 152 - Swivel Connection Kit for 2-Pt Suspension



(Same as Opt CK8)

Code 153 - Kit to Convert to 4-Pt Suspension with Swivel Connections (Same as Option CK9)



Code 154 - Swivel Connection Kit for 4-Pt Suspension (Same as Option CK10)



Code 157 - 4-Pt Suspension for Models B/BE - designed to equalize the load (Same as Option CK19)

